



## 50T2F1002-ZN

FRONT DOUBLE STUD FITTING  
**Weight : 193 g**

### FEATURES

Characteristics	
Fitting class	Torque
Number of studs	2
Shear plunger	No
F <sub>xz</sub> (for rear) / F <sub>z</sub> (for front)	> 50 KN

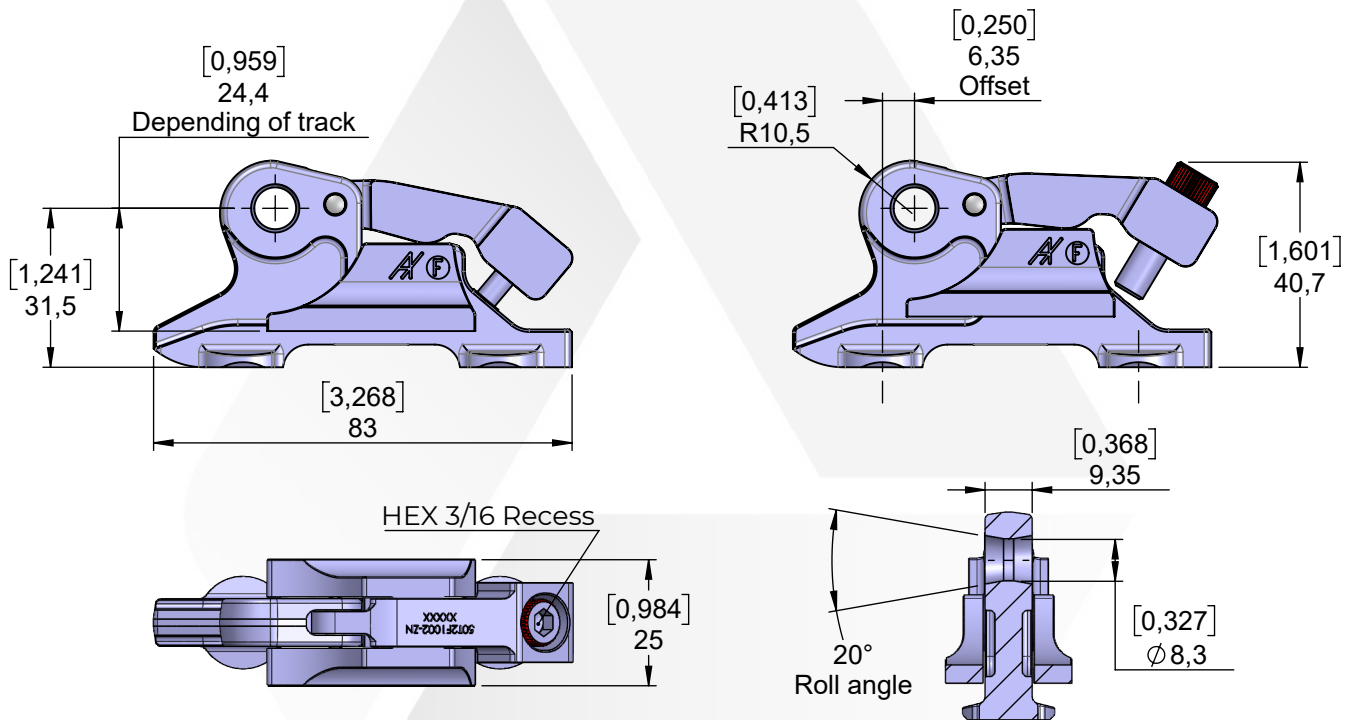
Aircrafts									
AIRBUS				BOEING				OTHERS	
A320	A330	A350	A380	B737	B747	B767	B777	(*)	
●	●	●	-	●	●	●	-	-	

(\*) Indicated for other platforms, contact ATTAX for more information

### COMPONENTS

	Material	Treatment
<b>Body</b>	Steel 4140 per AMS 6349	Zinc Nickel Type II Grade B per AMS 2417
<b>Plunger</b>	Steel 42CrMo4 per AMS 6349	Zinc Nickel Type II Grade B per AMS 2417
<b>Lever</b>	Steel 42CrMo4 per AMS 6349	Zinc Nickel Type II Grade B per AMS 2417

### DIMENSIONS



### Technical data

Safety indicator: Yes	Tool-less	No	Secured locking	N/A
<b>Red</b> Yes	Quick release	No	Offset	Yes
<b>Green</b> No	Positive engagement	No	Captive screw	Yes